

Annotation:

This operation bulletin contains amended data on parameters of draw hitch DH-1M-01 (draw bar) due to design changes.

Content of changes:

Clause “Towing drawbar TD-1M-01 (drawbar)” in section “Aggregation” shall be amended as follows:

Draw hitch DH-1M-01 (draw bar)

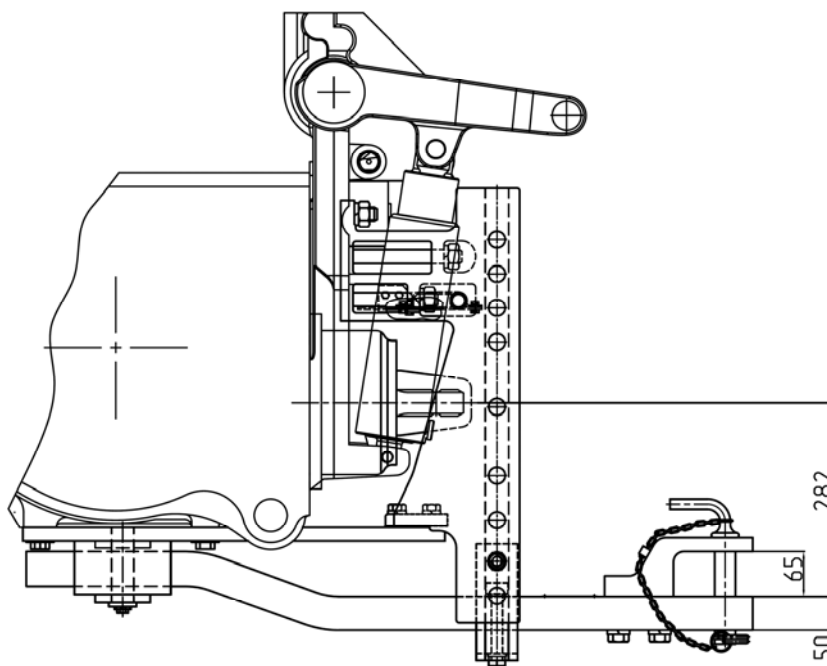


Figure 1 – Diagram of installation variants for DH-1M-01 (draw bar)



Table 1 – Basic parameters and coupling dimensions of DH-1M-01 (draw bar)

Standard size (configuration)	DH-1M-01 (draw bar)	
	First position	Second position
1 Variant	First position	Second position
2 Mounting location	In the lower part of the rear axle housing and rear lifting device	
3 Assignment	For coupling and attaching agricultural trailed and semi-trailed machines with drive wheels except for tractor trailers and semitrailers	
4 Design features	Draw beam with a possibility to change a horizontal position with respect to the rear PTO end	
5 Distance between the PTO butt end and the connecting pin axis, mm	400	500
6 Vertical load in hitch point, kN, not more than	12	8
7 Turning angle of the implement trailing device in horizontal plane, degrees, not less than	±60	
8 Connecting pin diameter, mm	30	
9 Protective device type	Safety chain (rope) ¹⁾	
10 Connection point of the protective device on the tractor	Lifting device holes	
11 Relative calculated value of axial forces (D), kN, not more than	56,1	
¹⁾ Implement accessories.		

ATTENTION: MOUNTING OF COVER PLATE TO DRAW BAR BOTTOM (WITH OVERTURN) TO REDUCE HEIGHT OF YOKE POSITIONING AGAINST SUPPORTING SURFACE IS NOT ALLOWED!

ATTENTION: WHEN COUPLING AGRICULTURAL TRAILED AND SEMI-TRAILED MACHINES TO DRAW HITCH IT SHOULD BE TAKEN INTO ACCOUNT THAT PERMISSIBLE LOAD IN THE HITCH POINT IN THE LONGITUDINAL DIRECTION SHALL CONSTITUTE NOT MORE THAN 56.1 kN (INDICATED ON THE LIFTING DEVICE SIDE MEMBERS), REGARDLESS OF THE VALUE INDICATED ON THE DRAW BAR PLATE!