



Annotation

This service bulletin contains information on BELARUS tractor catalogue amendments due to reduction gear 1523-1706000 installation, lubrication and linkage system modification.

Changes:

Группа **17 Gearbox**

Group

Подгруппа **1706 Reduction Gear Installation**

Subgroup

Changes in Group 17 Gearbox shall be introduced into the corresponding catalogues (see Table 1).

Table 1

Catalogue designation	Information changes	Figure changes
1523-0000010 PAUC	Pages 92-95 shall be replaced, page 95a shall be introduced	Figure 17.14 shall be replaced
1523.4-0000010 PAUC	Pages 94a, 94b, 94c, 94d, 94e shall be introduced	Figures shall be introduced
1523.5-0000010 PAUC	Pages 90-93 shall be replaced, page 93a shall be introduced	Figure 17.14 shall be replaced

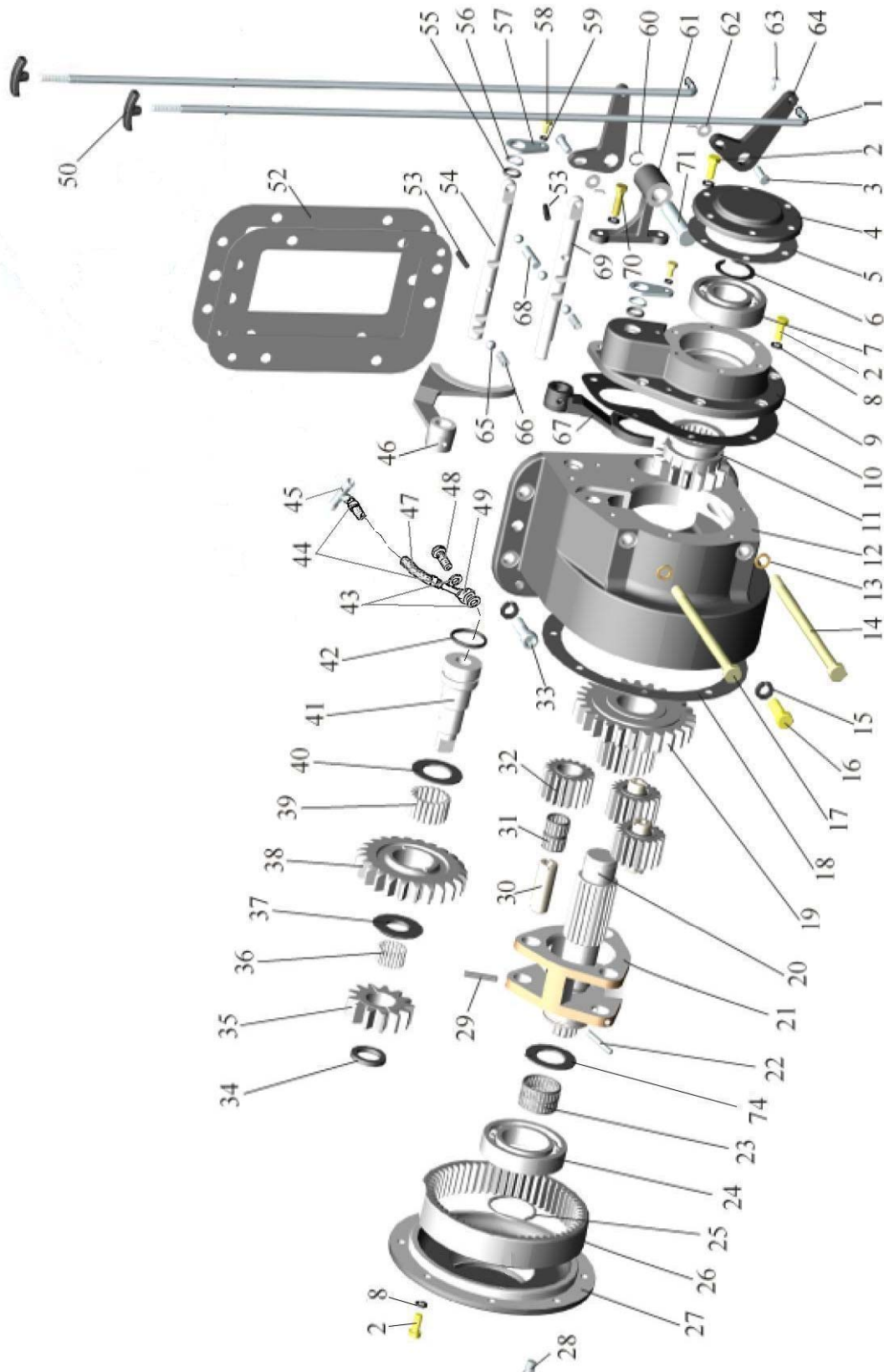


Figure 17.14 (page 1 of 3) – Reduction Gear Installation

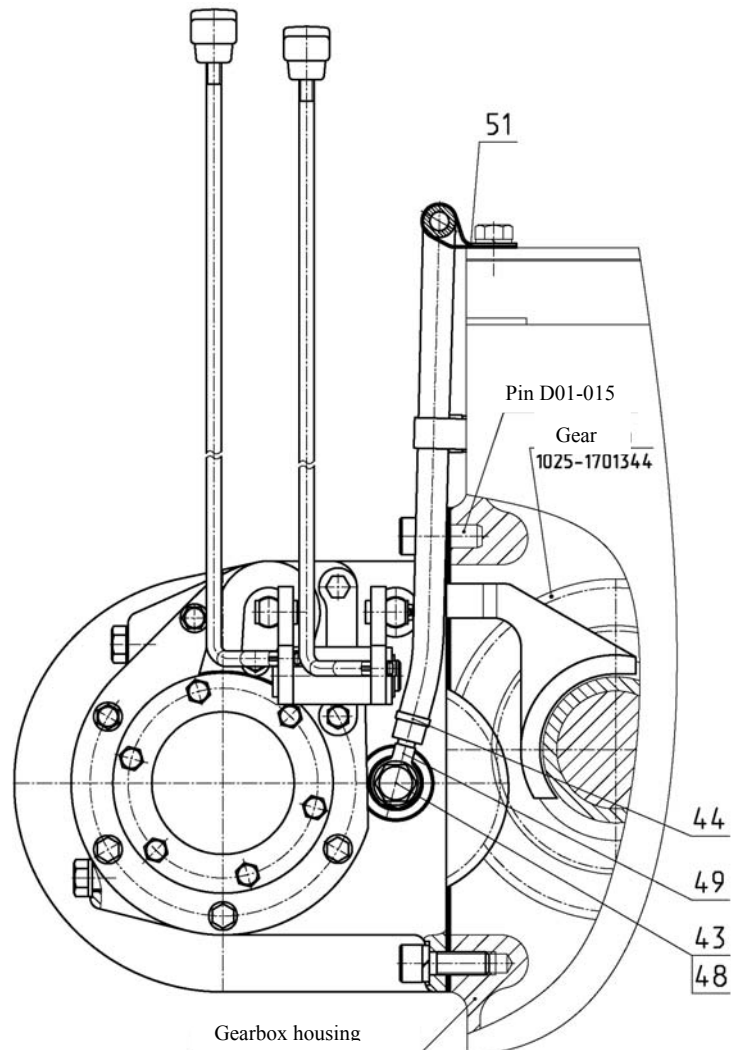
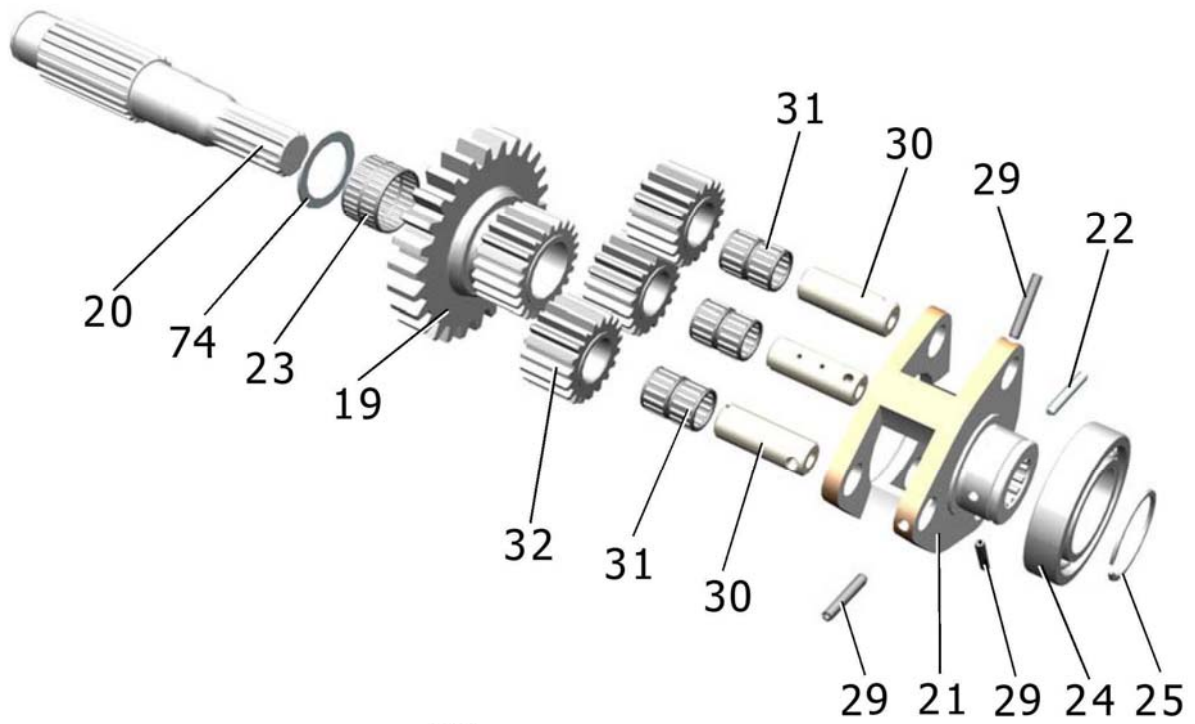


Figure 17.14 (page 2 of 3) - Reduction Gear Installation

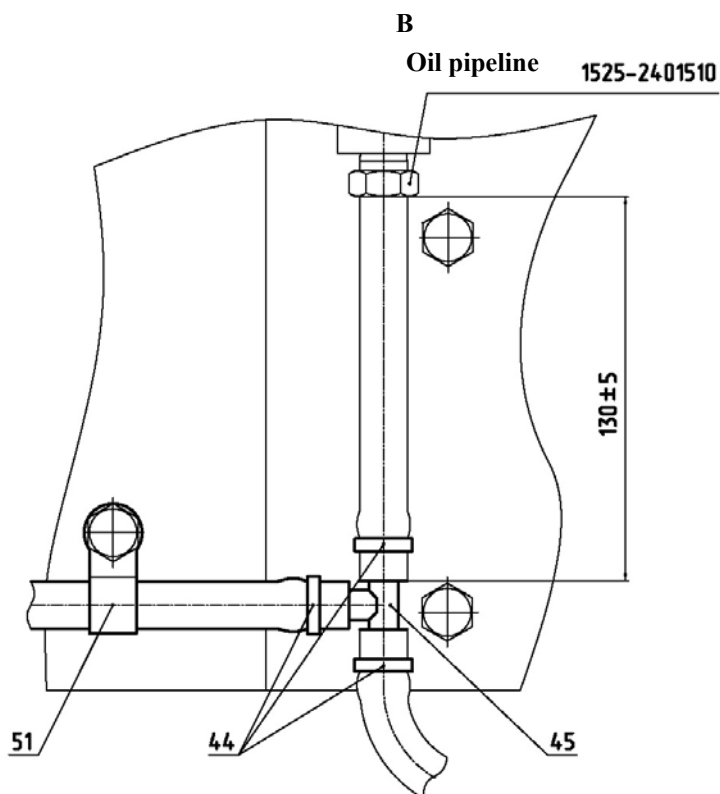
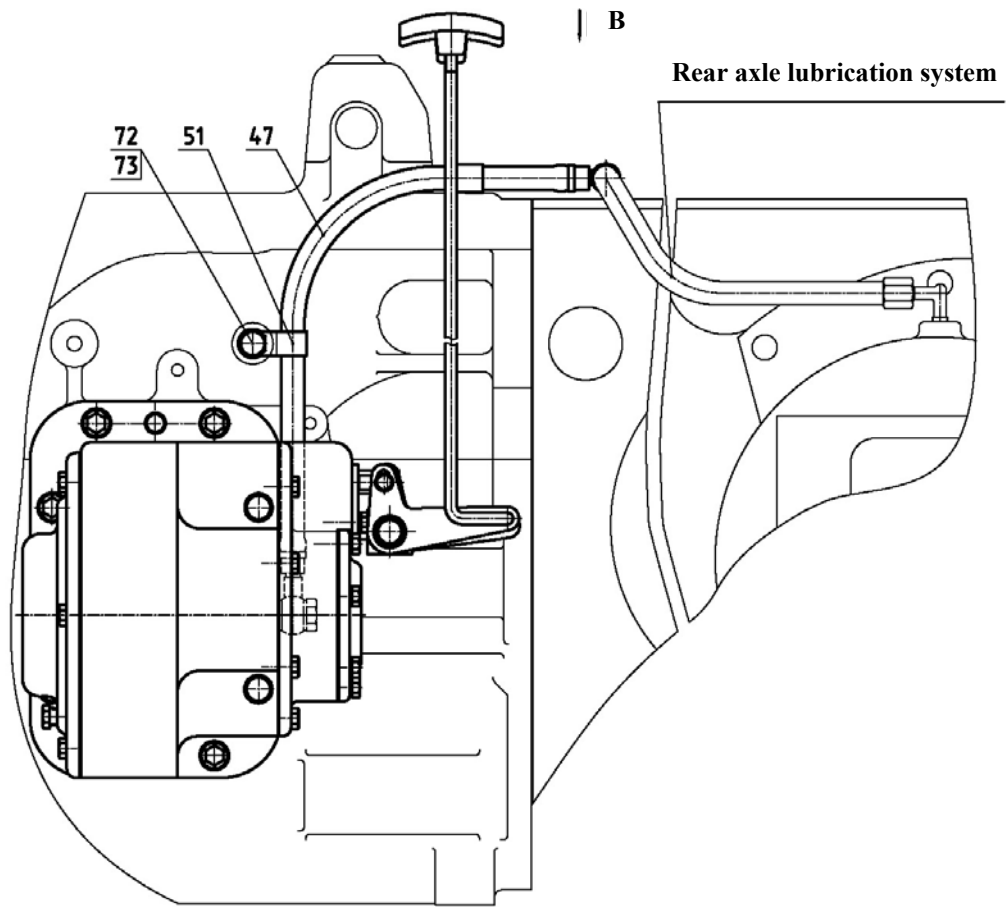


Figure 17.14 (page 3 of 3) - Reduction Gear Installation

**Group 17 Gearbox
Subgroup 1706 Reduction gear installation**

Fig. No.	Pos. No	Unit or Part No	Q-ty	Denomination
17.14		1523-1706000*)		Reduction gear installation
		1025-1706030	1	Reduction unit (19-25, 29-32, 74)
		1025-1706040	1	Carrier (21, 29-32)
	1	1523-1716001	2	Link
	2	M8-6gx20.88.35.019 GOST 7796-70	18	Bolt
	3	2022-1716016	2	Pin
	4	1025-1706024	1	Cover
	5	1025-1706026	1	Lining
	6	C35 GOST 13940-86	1	Ring
	7	307 A GOST 8338-75	1	Joint
	8	8T OCT 37.001.115-75	20	Washer
	9	1025-1706022	1	Cover
	10	1025-1706023	1	Lining
	11	1025-1706027	1	Gear
	12	1025-1706011	1	Housing
	13	85-1702051	2	Washer
	14	M12-6gx200.58.019 GOST 7795-70	1	Bolt
	15	12 OT OST 37.001.115-75	5	Washer
	16	M12-6gx35.88.35.019 GOST 7796-70	1	Bolt
	17	M12-6gx180.58.019 GOST 7795-70	1	Bolt
	18	1025-1706013	1	Lining
	19	1025-1706041	1	Gear
	20	1025-1706042	1	Shaft
	21	1025-1706051	1	Carrier
	22	6x45 GOST 3128-70	1	Pin
	23	3KK 37x42x26 E (664907E) GOST 24310-80	1	Joint
	24	210 АУШ1 GOST8338-75	1	Joint
	25	2C50 GOST 13940-86	1	Ring
	26	1025-1706028	1	Crown gear
	27	1025-1706012	1	Cover
	28	КГ 1/8"	1	Plug
	29	A.6x35.65Г GOST 14229-93	3	Pin
	30	1025-1706053	3	Axle
	31	KK 20x26x34 E GOST 24310-80	3	Joint
	32	1025-1706054	3	Planetary gear
	33	M12-6gx35.88.35.019 GOST11738-84	4	Screw
	34	1025-1706014	1	Washer
	35	1025-1706016	1	Gear
	36	3x23,8 A3 GOST 6870-81	29	Roller
	37	1025-1706017	1	Washer
	38	1025-1706018	1	Gear
39	6x23,8 B3	19	Roller	
40	1025-1706019	1	Washer	
41	1025-1706021	1	Axle	

**Group 17 Gearbox
Subgroup 1706 Reduction gear installation**

Fig. No.	Pos. No.	Unit or Part No	Q-ty	Denomination
17.14	42	035-040-30-1-4 GOST 18829-73/GOST 9833-73	1	Ring
	43	PM 14	2	Washer
	44	Worm thread collar 12-22	4	Collar
	45	3022-4607120	1	T-joint
	46	1025-1706031	1	Fork
	47	1221B-4216014	1	Sleeve 10x18,5-1,6 GOST 10362-76 L=(400±10) mm
	48	Д18-051	1	Bolt
	49	Φ80-3407720	1	Oil pipeline
	50	50-1310136-A-02	2	Handle
	51	70-4802043	2	Cleat
	52	50-1701456-A	2	Lining
	53	A.6x30.65Г GOST 14229-93	2	Pin
	54	1025-1706033	1	Push rod
	55	016-020-25-2-4 GOST 18829-73/GOST 9833-73	2	Ring
	56	1025-1706037	2	Washer
	57	1025-1706034	2	Plate
	58	M6-6gx12.88.35.019 GOST 7798-70	2	Bolt
	59	6T OST 37.001.115-75	2	Washer
	60	C16 GOST 13940-86	1	Ring
	61	1025-1716011	1	Bracket
	62	2x12.019 GOST 397-79	4	Spline
	63	C 8.01.019 GOST 11371-78	2	Washer
	64	2022-1716013	2	Lever
	65	9,922-100 GOST 3722-81	4	Ball
66	50-1702148-A	2	Spring	
67	1025-1706036	1	Fork	
68	1025-1706029	1	Pin	
69	1025-1706032	1	Push rod	
70	M8-6gx30.88.35.019 GOST 7796-70	2	Bolt	
71	1025-1716012	1	Pin	
72	M10-6gx25.88.35.019	1	Bolt	
73	10 OT OST 37.001.115-75	1	Washer	
74	1025-1706043	1	Washer	

*) In order to install the marked elements on the tractor, it is necessary to obtain 1523-1706000 Reduction Gear Installation, which includes reduction gear, RG lubrication system, RG control link, retaining elements. In order to install T-joint 3022-4607120 it is necessary to perform cutting of oil pipeline 1525-2401510 of rear axle lubrication system. When 1523-1706000 is installed, fill the transmission with oil up to the upper edge of the oil gauge.