

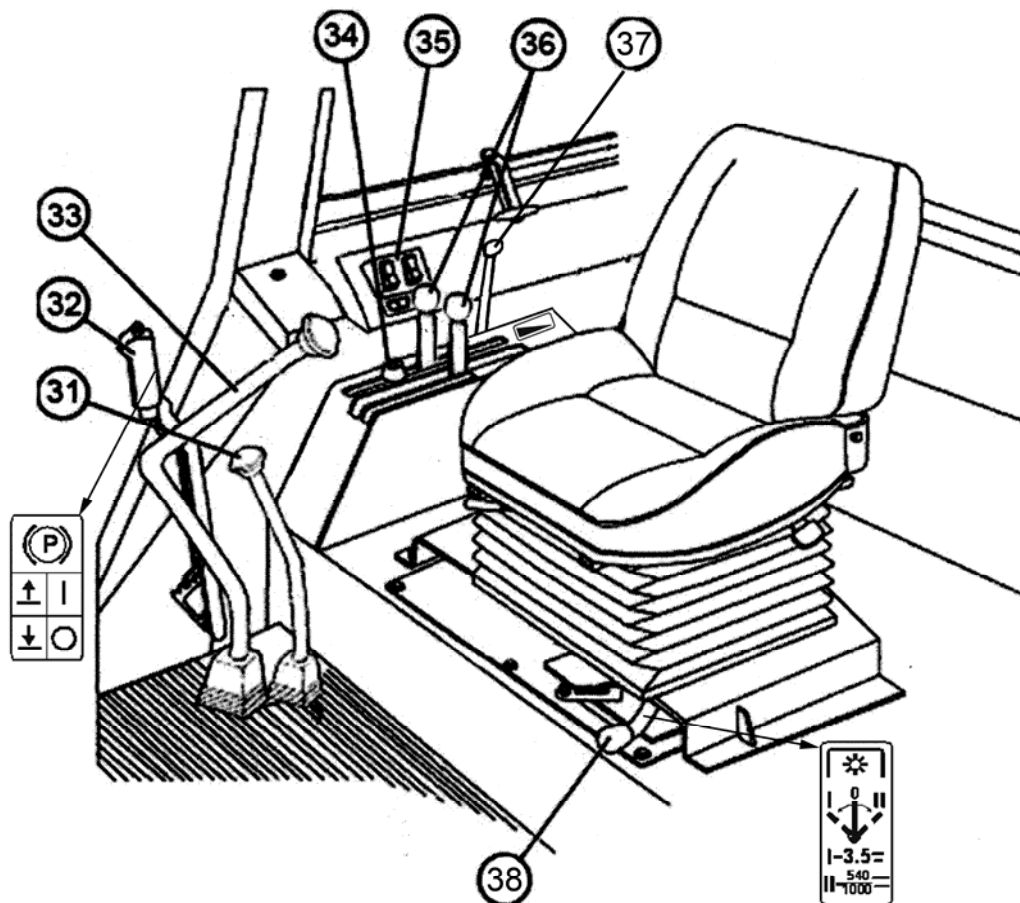
Annotation

This operation manual contains updates for rear PTO control modes of BELARUS-1220.1/1220.3/1220.4 tractor.

Content of changes

The picture at page Г2 of section Г1 “Controls and instruments” shall be amended as follows

The picture available:



Shall be replaced with:

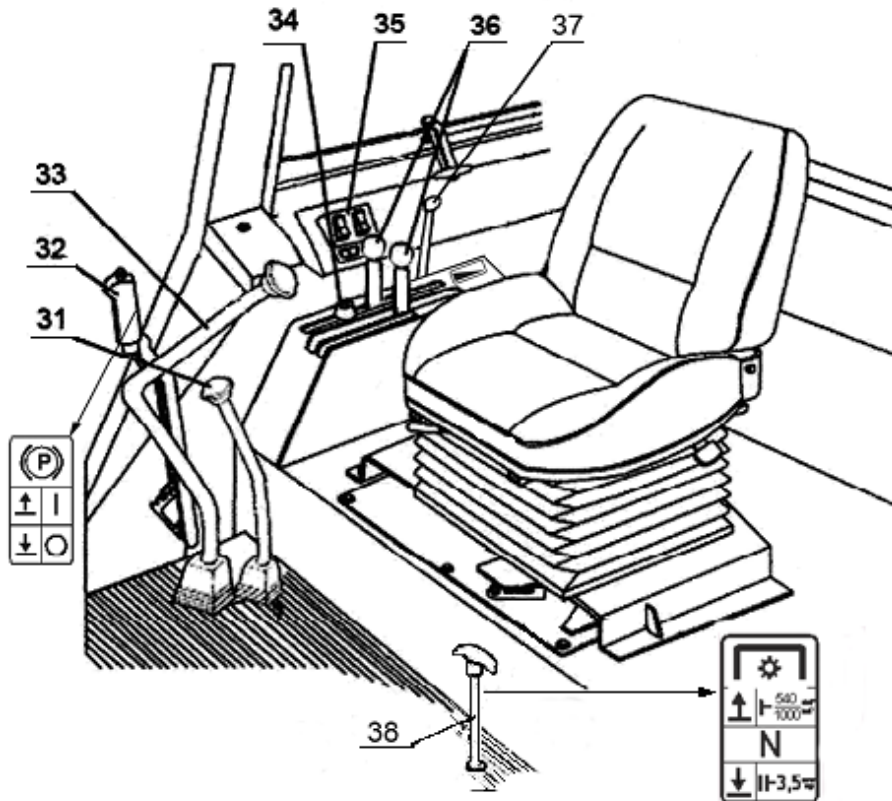


Figure - Controls

The subsection “Continuous and ground-speed drives of PTO” at page Г18 shall be amended as follows.

Continuous and ground-speed PTO drives

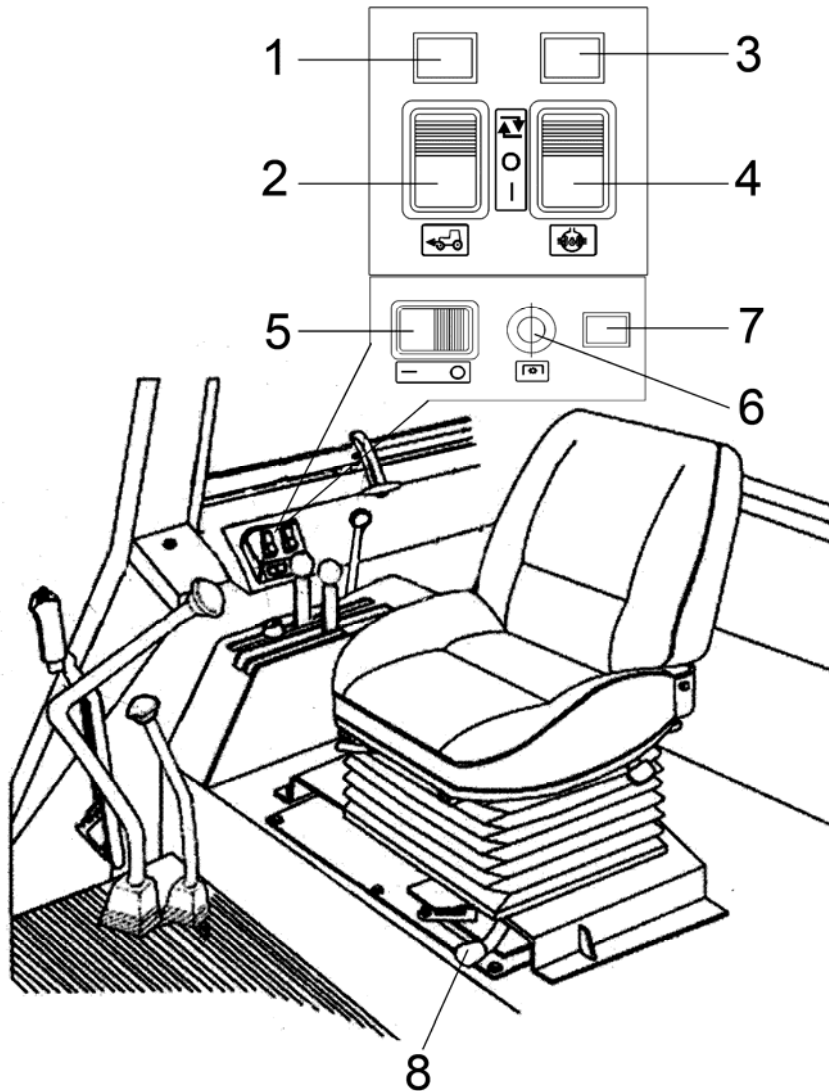
The rear PTO engaging handle (8) has got three positions:

- upper position – “continuous PTO drive is on”;
- middle position – “PTO drive is off”;
- lower position – “ground-speed PTO drive is on”.

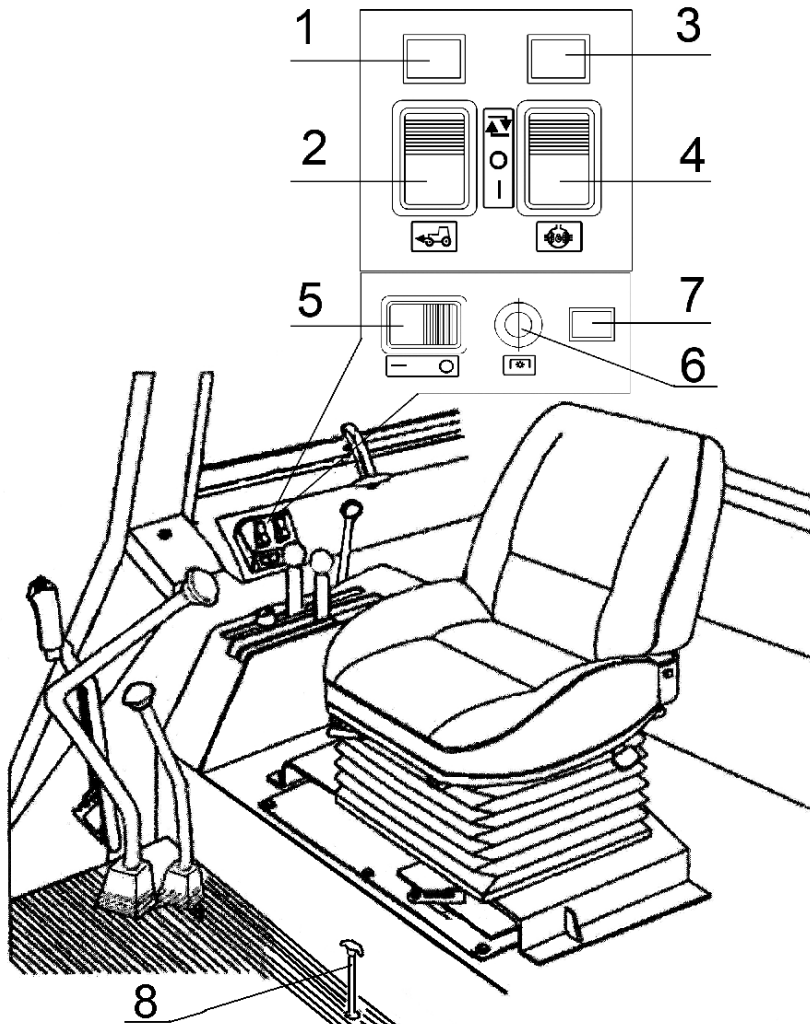
ATTENTION: REAR PTO GROUND-SPEED DRIVE SHALL BE ENGAGED ONLY FROM NEUTRAL POSITION WITH THE ENGINE RUNNING AT LOW SPEED OF THE FIRST OR THE SECOND RANGES OF THE GEARBOX AS THE TRACTOR MOVES. IN ADVERSE CASE POWER GEAR MAY GET DAMAGED! SWITCHING OF THE PTO GROUND-SPEED DRIVE TO THE NEUTRAL POSITION SHALL BE DONE IN A SIMILAR WAY!

ATTENTION: THE PTO CONTINUOUS DRIVE SHALL BE TURNED ON FROM NEUTRAL POSITION ONLY WITH THE ENGINE KILLED! THE PTO SHALL BE SWITCHED FROM CONTINUOUS DRIVE TO NEUTRAL POSITION IN A SIMILAR WAY! IF SWITCHING IS PROBLEMATIC YOU SHOULD CHANGE THE POSITION OF THE SPLINE SHAFT BY TURNING THE ENGINE CRANKSHAFT AND REPEAT THE ATTEMPT OF SWITCHING!

The information available:



Shall be replaced with:



1-“FDA on” lamp, 2-PTO drive command key, 3-“DL on” lamp, 4- DL control button, 5-rear PTO control button, 6-rear PTO engaging button, 7-“rear PTO on” lamp, 8-rear PTO drive actuation stick.

Figure – Controls