

### Annotation

This service bulletin contains information on BELARUS tractor catalogue amendments due to reduction gear 1025-1706000-B-01 installation, screws M12-6gx35.88.019 GOST 11738-84 with a countersunk hexagon head installation, change of control link handle number.

### Changes:

Группа **17 Gearbox**

Group

Подгруппа **1706 Reduction Gear Installation**

Subgroup

Changes in Group 17 Gearbox shall be introduced into the corresponding catalogues (see Table 1).

Table 1

<b>Catalogue designation</b>	<b>Information changes</b>	<b>Figure changes</b>
<b>1221-0000010 PAUC</b>	Pages 93a, 93b, 93c, 93d shall be introduced	Figures shall be introduced
<b>1221.4-0000010 PAUC</b>	Pages 82a, 82b, 82c, 82d shall be introduced	Figures shall be introduced
<b>1221.4-0000010-01 PAUC</b>	Pages 80a, 80b, 80c, 80d shall be introduced	Figures shall be introduced

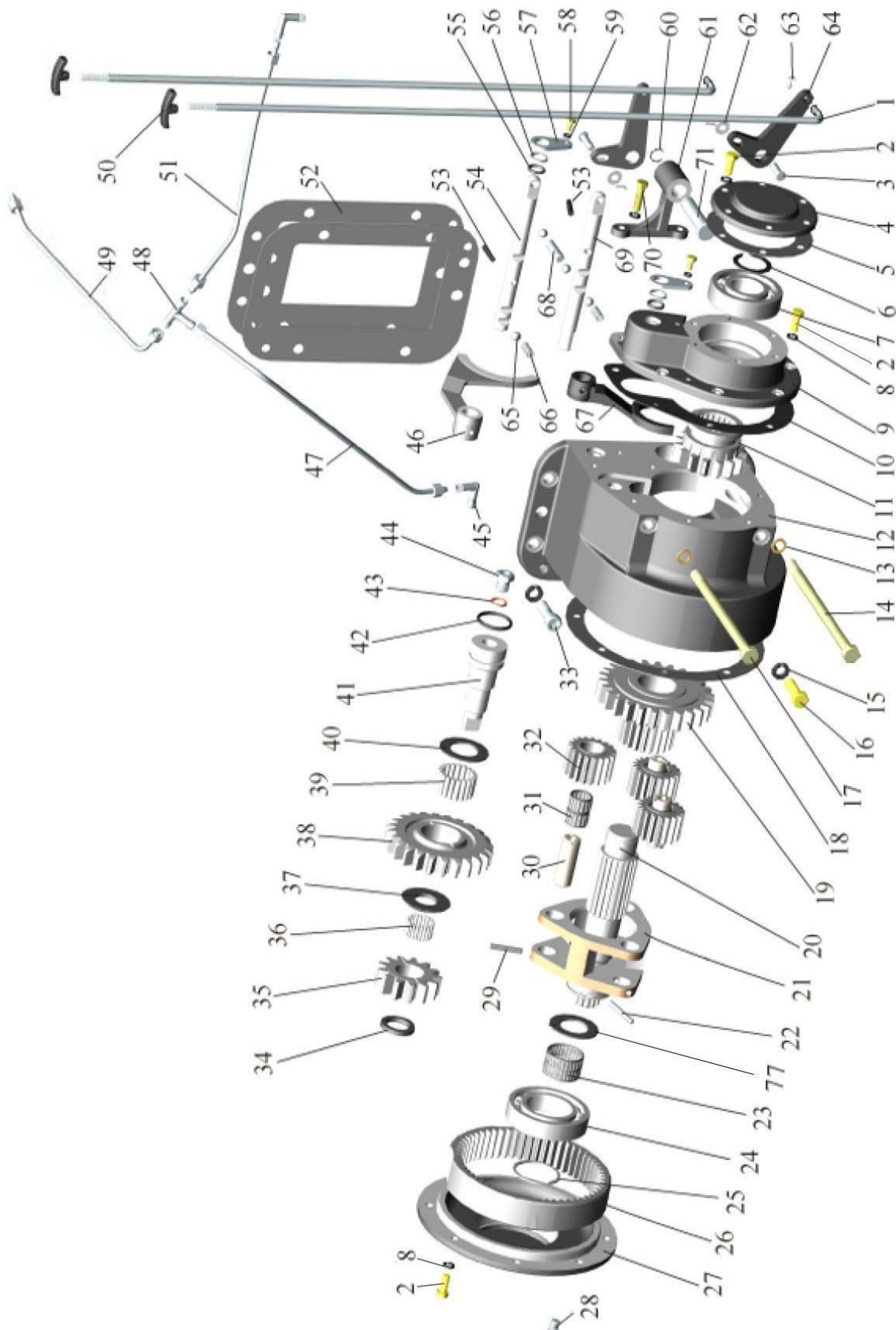


Figure 17.18 (page 1 of 2) - Reduction Gear Installation

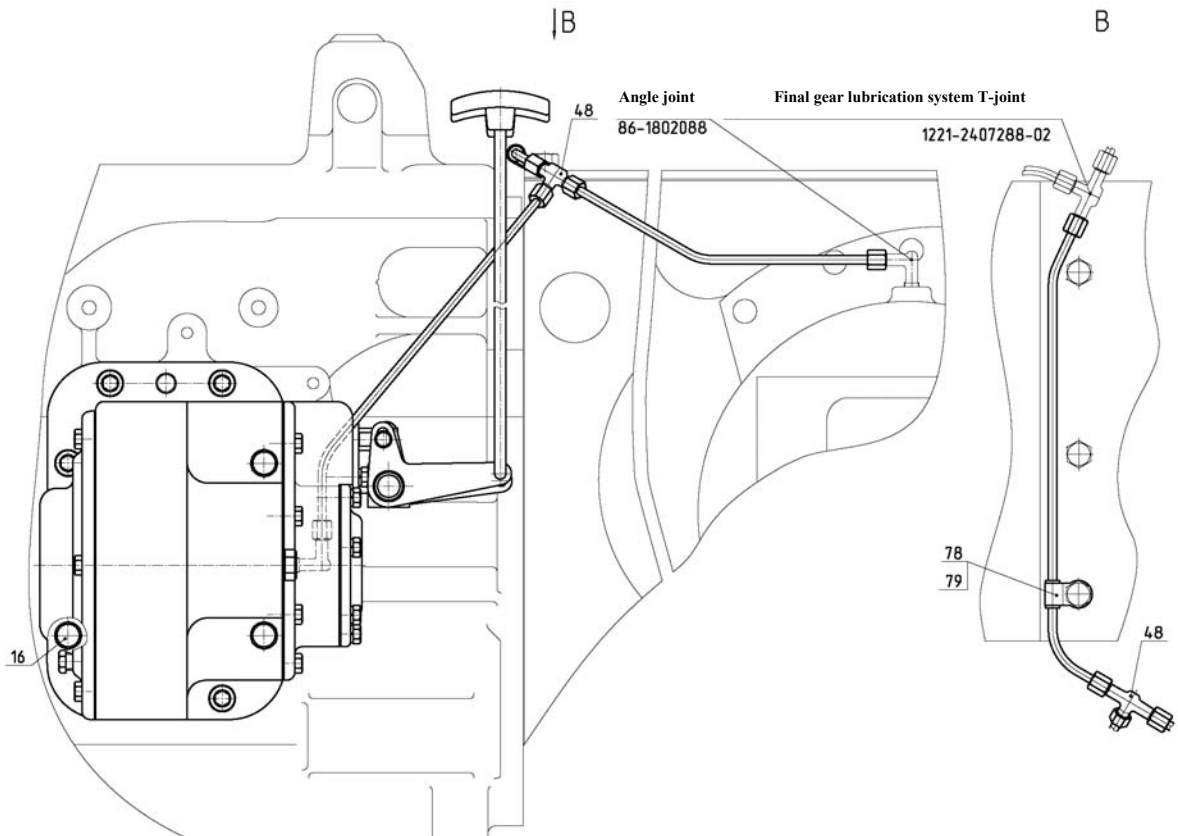
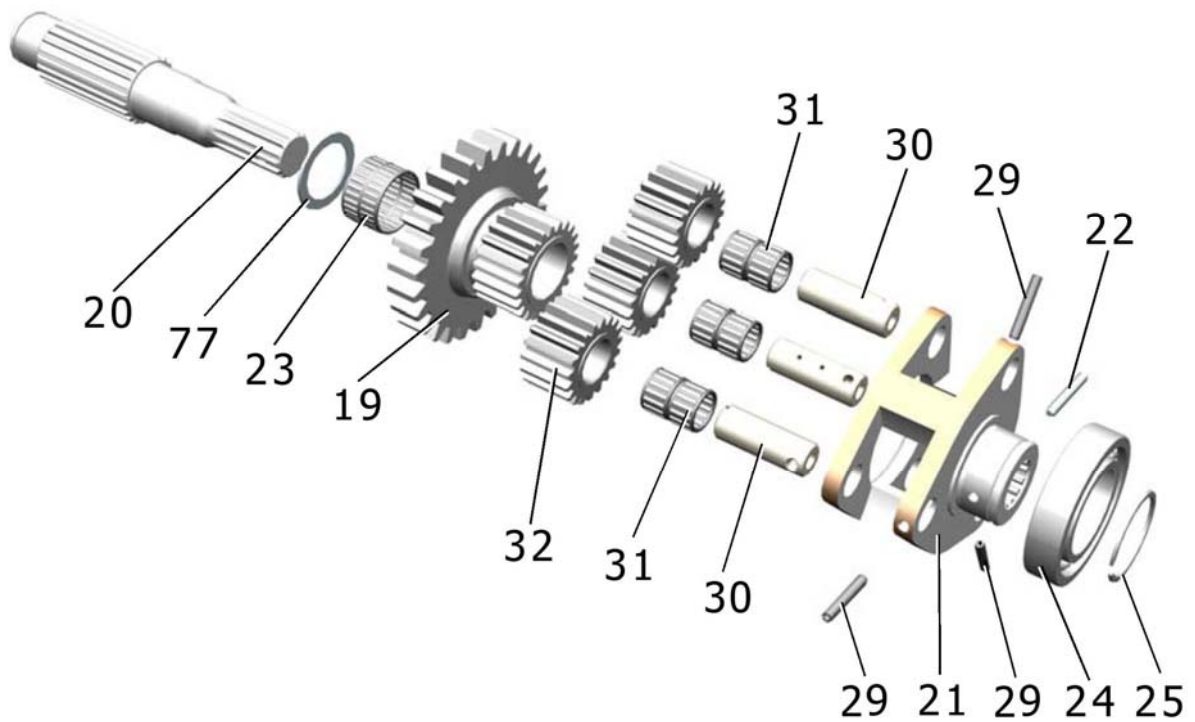


Figure 17.18 (page 2 of 2) - Reduction Gear Installation

**Group 17 Gearbox  
Subgroup 1706 Reduction gear installation**

Fig. No.	Pos. No	Unit or Part No	Q-ty	Denomination
17.18		1025-1706000-B-01 *)	1	Reduction gear installation
		1221-1716200-B	1	Reduction gear lubrication system (43-45, 47-49, 51, 78-79)
		1025-1706030	1	Reduction unit (19-25, 29-32, 77)
		1025-1706040	1	Carrier (21, 29-32)
	1	923-4216081	2	Link
	2	M8-6gx20.88.35.019 GOST 7796-70	18	Bolt
	3	2022-1716016	2	Pin
	4	1025-1706024	1	Cover
	5	1025-1706026	1	Lining
	6	C35 GOST 13940-86	1	Ring
	7	307 A GOST 8338-75	1	Bearing
	8	8T OST 37.001.115-75	20	Washer
	9	1025-1706022	1	Cover
	10	1025-1706023	1	Lining
	11	1025-1706027	1	Gear
	12	1025-1706011	1	Housing
	13	85-1702051	2	Washer
	14	M12-6gx200.58.019 GOST 7795-70	1	Bolt
	15	12 OT OST 37.001.115-75	5	Washer
	16	M12-6gx35.88.35.019 GOST 7796-70	1	Bolt
	17	M12-6gx180.58.019 GOST 7795-70	1	Bolt
	18	1025-1706013	1	Lining
	19	1025-1706041	1	Gear
	20	1025-1706042	1	Shaft
	21	1025-1706051	1	Carrier
	22	6x45 GOST 3128-70	1	Pin
	23	3KK 37x42x26 E (664907E) GOST 24310-80	1	Bearing
	24	210 AVШ1 GOST8338-75	1	Bearing
	25	2C50 GOST 13940-86	1	Ring
	26	1025-1706028	1	Crown gear
	27	1025-1706012	1	Cover
	28	КГ 1/8"	1	Plug
	29	A.6x35.65Г GOST 14229-93	3	Pin
	30	1025-1706053	3	Axle
	31	KK 20x26x34 E GOST 24310-80	3	Bearing
	32	1025-1706054	3	Planetary gear
	33	M12-6gx35.88.35.019 GOST11738-84	4	Screw
	34	1025-1706014	1	Washer
	35	1025-1706016	1	Gear
	36	3x23,8 A3 GOST 6870-81	29	Roller
	37	1025-1706017	1	Washer
38	1025-1706018	1	Gear	
39	6x23,8 B3	19	Roller	
40	1025-1706019	1	Washer	
41	1025-1706021	1	Axle	

**Group 17 Gearbox  
Subgroup 1706 Reduction gear installation**

Fig. No.	Pos. No	Unit or Part No	Q-ty	Denomination
17.18	42	035-040-30-1-4 GOST 18829-73/GOST 9833-73	1	Ring
	43	PM 14	1	Washer
	44	1221-1802091-Б	1	Screw plug
	45	86-1802088	1	Angle joint
	46	1025-1706031	1	Fork
	47	1221-1716230-Б	1	Oil pipeline
	48	1221-2407288-02	1	T-joint
	49	1221-1716220-Б	1	Oil pipeline
	50	50-1310136-A-02	2	Handle
	51	1221-1716240-Б	1	Oil pipeline
	52	50-1701456-A	2	Lining
	53	A.6x30.65Г GOST 14229-93	2	Pin
	54	1025-1706033	1	Push rod
	55	016-020-25-2-4 GOST 18829-73/GOST 9833-73	2	Ring
	56	1025-1706037	2	Washer
	57	1025-1706034	2	Plate
	58	M6-6gx12.88.35.019 GOST 7798-70	2	Bolt
	59	6T OST 37.001.115-75	2	Washer
	60	C16 GOST 13940-86	1	Ring
	61	1025-1716011	1	Bracket
	62	2x12.019 GOST 397-79	4	Cotter pin
	63	C 8.01.019 GOST 11371-78	2	Washer
	64	2022-1716013	2	Lever
	65	9,922-100 GOST 3722-81	4	Ball
	66	50-1702148-A	2	Spring
	67	1025-1706036	1	Fork
	68	1025-1706029	1	Pin
	69	1025-1706032	1	Push rod
	70	M8-6gx30.88.35.019 GOST 7796-70	2	Bolt
71	1025-1716012	1	Pin	
77	1025-1706043	1	Washer	
78	1522-2407317	1	Tube	
79	70-4802043	1	Cleat	

\*) In order to install the marked elements on the tractor, it is necessary to obtain 1025-1706000-B-01 Reduction Gear Installation, which includes reduction gear, RG lubrication system, RG control link, retaining elements. If there is no RG drive gear on the reverse shaft (reduced range) in GB, 1025-1701344 RG Drive Gear, 80-1701346-01 Bushing and 80-1602130-01 Bracket shall be obtained. When 1025-1706000-B-01 is installed, fill the transmission with oil up to the upper edge of the oil gauge.