

### Annotation

This service bulletin contains information on BELARUS tractor catalogue amendments due to reduction gear 1025-1706000-B installation, screws M12-6gx35.88.019 GOST 11738-84 with a countersunk hexagon head installation, change of control link handle number.

### Changes:

Группа **17 Gearbox**

Group

Подгруппа **1706 Reduction Gear Installation**

Subgroup

Changes in Group 17 Gearbox shall be introduced into the corresponding catalogues (see Table 1).

Table 1

<b>Catalogue designation</b>	<b>Information changes</b>	<b>Figure changes</b>
<b>1025-0000010 PAUC</b>	Pages 129a, 129b, 129c, 129d shall be introduced.	Figures shall be introduced
<b>1025.4-0000010-01 PAUC</b>	Pages 51a, 51b, 51c, 51d shall be introduced.	Figures shall be introduced
<b>1025.5-0000010 PAUC</b>	Pages 70-73 shall be replaced	Figures 17.8, 17.9, 17.10 shall be replaced
<b>1220.1-0000010 PAUC</b>	Pages 83a, 83b, 83c, 83d shall be introduced.	Figures shall be introduced
<b>1220.5-0000010 PAUC</b>	Pages 89a, 89b, 89c, 89d shall be introduced	Figures shall be introduced

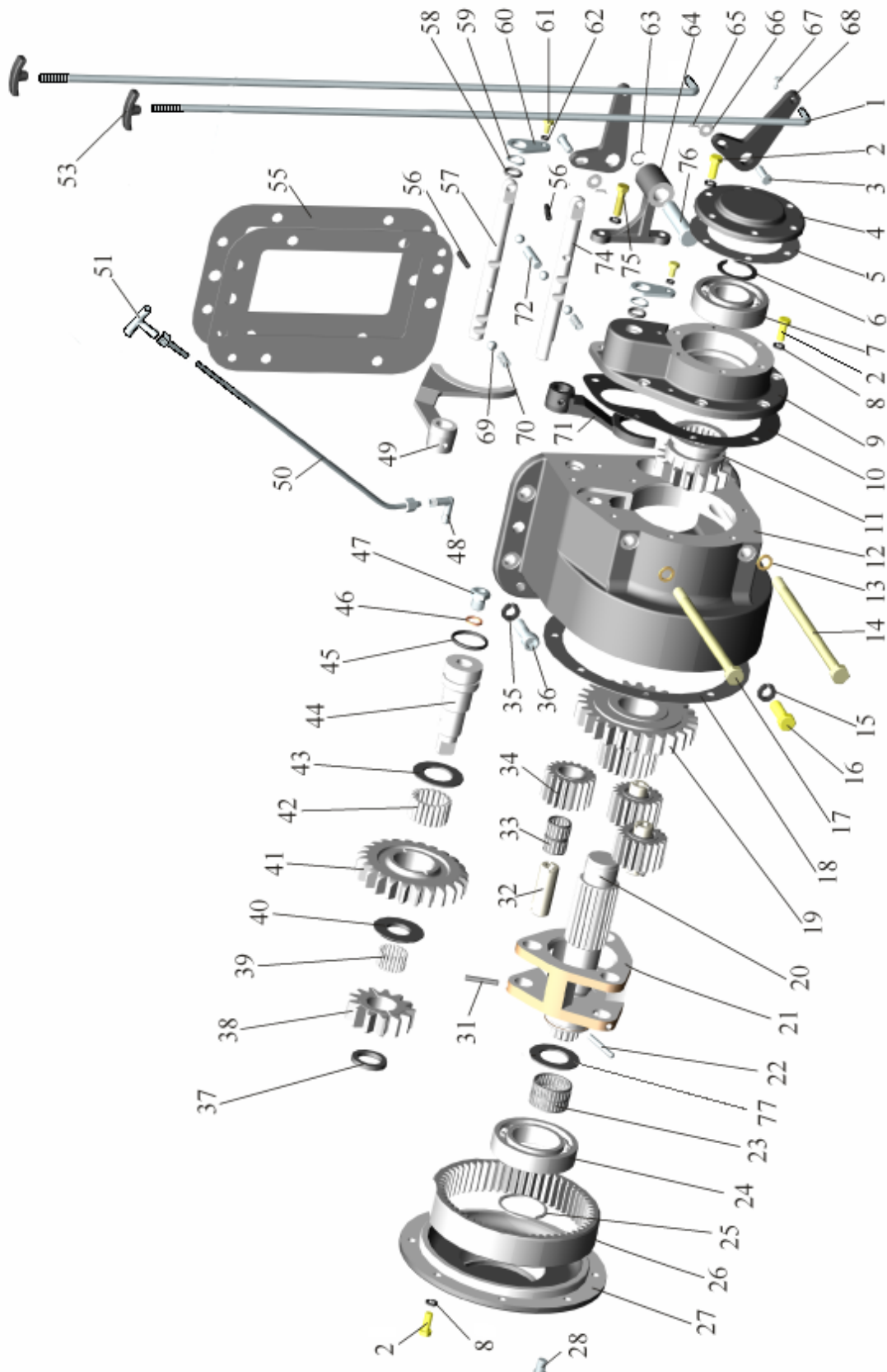


Figure 17.8 (page 1 of 2) - Reduction Gear Installation

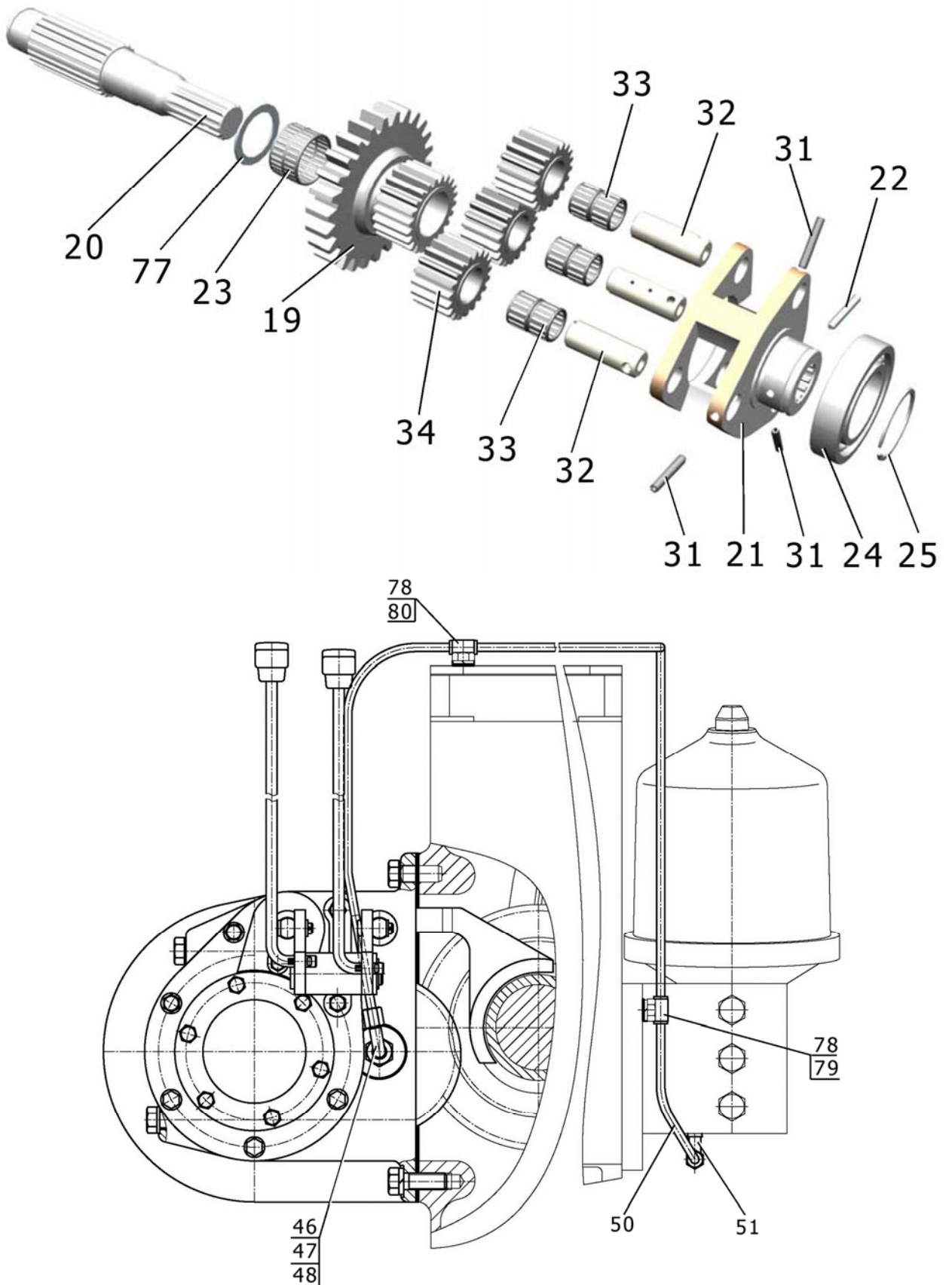


Figure 17.8 (page 2 of 2) - Reduction Gear Installation

**Group 17 Gearbox  
Subgroup 1706 Reduction gear installation**

Fig.	Pos.	Designation	Q-ty	Denomination
17.8		1025-1706000-B *)	1	Reduction gear installation
		1025-1716200	1	Reduction gear lubrication system (46-48, 50, 51, 78-80)
		1025-1706030	1	Reduction unit (19-25, 31-34, 77)
		1025-1706040	1	Carrier (21, 31-34)
	1	923-4216081	2	Link
	2	M8-6gx20.88.35.019 GOST 7796-70	18	Bolt
	3	2022-1716016	2	Pin
	4	1025-1706024	1	Cover
	5	1025-1706026	1	Lining
	6	C35 GOST 13941-86	1	Ring
	7	307 A GOST 8338-75	1	Bearing
	8	8T OST 37.001.115-75	20	Washer
	9	1025-1706022	1	Cover
	10	1025-1706023	1	Lining
	11	1025-1706027	1	Gear
	12	1025-1706011	1	Housing
	13	85-1702051	2	Washer
	14	M12-6gx200.58.019 GOST 7795-70	2	Bolt
	15	12 OT OST 37.001.115-75	1	Washer
	16	M12-6gx35.88.35.019 GOST 7796-70	1	Bolt
	17	M12-6gx180.58.019 GOST 7795-70	1	Bolt
	18	1025-1706013	1	Lining
	19	1025-1706041	1	Gear
	20	1025-1706042	1	Shaft
	21	1025-1706051	1	Carrier
	22	6x45 GOST 3128-70	1	Pin
	23	3KK 37x42x26 E (664907E) GOST 24310-80	1	Bearing
	24	210 A GOST 8338-75	1	Bearing
	25	2C50 GOST 13941-86	1	Ring
	26	1025-1706028	1	Crown gear
	27	1025-1706012	1	Cover
	28	КГ 1/8" A12.019	1	Plug
	31	A.6x35.65Г GOST 14229-93	3	Pin
	32	1025-1706053	3	Axle
	33	KK 20x26x34 E GOST 24310-80	3	Bearing
	34	1025-1706054	3	Planetary gear
	35	12 OT OST 37.001.115-75	4	Washer
	36	M12-6gx35.88.35.019 GOST 11738-84	4	Screw
	37	1025-1706014	1	Washer
	38	1025-1706016	1	Gear
	39	3x23,8 A3 GOST 6870-81	29	Roller
	40	1025-1706017	1	Washer
	41	1025-1706018	1	Gear
	42	6x23,8 B3 GOST 6870-81	19	Roller
	43	1025-1706019	1	Washer
	44	1025-1706021	1	Axle
	45	035-040-30-1-4 GOST 18829-73/GOST 9833-73	1	Ring
46	PM 14	1	Washer	
47	1221-1802091-Б	1	Screw plug	

**Group 17 Gearbox  
Subgroup 1706 Reduction gear installation**

Fig.	Pos.	Designation	Q-ty	Denomination
17.8	48	86-1802088	1	Angle joint
	49	1025-1706031	1	Fork
	50	1025-1716210	1	Oil pipeline
	51	1221-2407288	1	T-joint
	53	50-1310136-A-02	2	Handle
	55	50-1701456-A	2	Lining
	56	A.6x30.65Г GOST 14229-93	2	Pin
	57	1025-1706033	1	Push rod
	58	016-020-25-2-4 GOST 18829-73/GOST 9833-73	2	Ring
	59	1025-1706037	2	Washer
	60	1025-1706034	2	Plate
	61	M6-6gx12.88.35.019 GOST 7798-70	2	Bolt
	62	6T OST 37.001.115-75	2	Washer
	63	C16 GOST 13940-86	1	Ring
	64	1025-1716011	1	Bracket
	65	2x12.019 GOST 397-79	2	Cotter pin
	66	C.8.01.019 GOST 11371-78	2	Washer
	67	2x12.019 GOST 397-79	2	Pin
	68	2022-1716013	2	Lever
	69	9,922-100 GOST 3722-81	4	Ball
	70	50-1702148-A	2	Spring
	71	1025-1706036	1	Fork
	72	1025-1706029	1	Pin
	74	1025-1706032	1	Push rod
	75	M8-6gx30.88.35.019 GOST 7796-70	2	Bolt
	76	1025-1716012	1	Pin
	77	1025-1706043	1	Washer
	78	1522-2407317	2	Tube
	79	70-4802046	1	Collar
	80	70-4802043	1	Cleat

\*) In order to install the marked elements on the tractor, it is necessary to obtain 1025-1706000-B Reduction Gear Installation, which includes reduction gear, RG lubrication system, RG control link, retaining elements. If there is no RG drive gear on the reverse shaft (reduced range) in GB, 1025-1701344 RG Drive Gear, 80-1701346-01 Bushing and 80-1602130-01 Bracket shall be obtained. When 1025-1706000-B is installed, fill the transmission with oil up to the upper edge of the oil gauge.