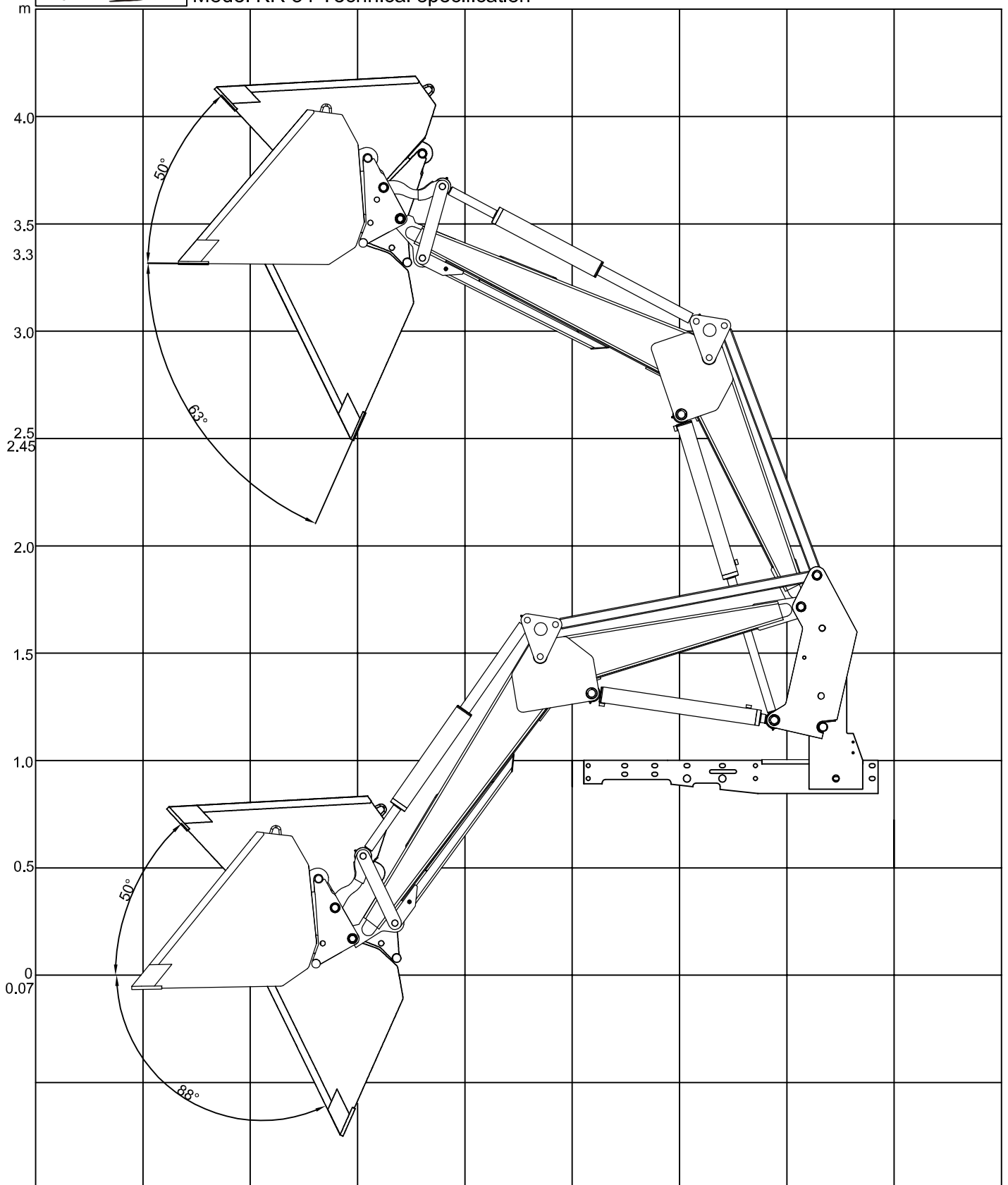




Model KR 34 Technical specification



Loader model	KR 34	Overloading height	Digging depth	Tip in angle	Tip out angle	Max tip in angle	Crowd angle at lowered lift arm
TRACTOR	MTZ 920	3300mm	70mm	50°	63°	50°	88°