



131: Prime mover, tractor head 6x6 flatbed semi-trailer payload min. 45 t. Canopy optional

TRACTOR HEAD MAZ-6425 WITH SEMITRAILER MAZ-937900-010



PARAMETERS

DESCRIPTION

TRACTOR HEAD FEATURES

Tow Truck 6x6

LOAD PARAMETERS

Payload carried, kg:	17 400
Curb weight, kg	11 150
Gross mass of the truck, kg	28 700

DIMENSIONS (MM)

Overall length	7 400
Overall width	2 550
Overall height	3 400
Wheelbase	3 870

ENGINE:

Power output, HP @ r.p.m. (min^{-1})	400 hp @ 1900 min^{-1}
Max torque, Nm @ r.p.m. (min^{-1})	1715 Nm @ 1200-1400 min^{-1}
Features	Diesel, 8 cylinder, V-type, turbo-supercharging and intercooler.
Displacement, l	14,86
Emission level	Euro 2, Euro 3. Simular Euro 4 & Euro 5 versions are available
Fuel tank capacity, litre	350

Head Office: 3-1136 Centre St, Ste. 124, Thornhill, ON, L4J 3M8, Canada

Warehouse: 2682 Highway 34, Hawkesbury, Ontario, K6A 2R2, Canada

Tel: 1-855-2GO-4MTZ (1-855-246-4689) **Fax:** 1-647-933-9066 **E-mail:** info@mtzequipment.com **Web:** www.mtzequipment.com

DRIVE TRAIN

Clutch (type)	Dry single plate, plate diameter: 430 mm
Clutch control	hydraulic drive, pneumatic booster
Gearbox	Synchronized, 12 Forward/1Reverse gears
Traction	6 x 6
Drive axle's features	Two-stage with the central reducer, Interwheel and interaxle differential locks and wheel cylindrical planetary type reducers.

STEERING

With the hydraulic booster. The control column is regulated on altitude, angle of declination, is supplied with anti-thief and trauma protection devices.

BRAKES

Service:	Air pressure system, with drum type brake mechanisms, and ABS (antilock brake system)
Park:	With spring accumulators acting on rear wheels, air pressure charged.

ELECTRIC EQUIPMENT

Features:	Single-wire, direct current with nominal voltage 24V. Includes 2 of 190 Amp·hrs maintenance-free batteries. Generator: 28V, 100A. Starter: 24V, 5,5kW.
-----------	--------------------------------------------------------------------------------------------------------------------------------------------------------

CABIN

Features	All-metal, fixed on spring suspension, two-seat, two-door, can be tilted forward to secure engine service. Driver Seat with pneumatic suspension. Equipped with the sleeping place.
----------	-------------------------------------------------------------------------------------------------------------------------------------------------------------------------------------

Wheels and Tires:	12.00R20 - 10 wheels Spare wheel 10+1
--------------------------	---------------------------------------------

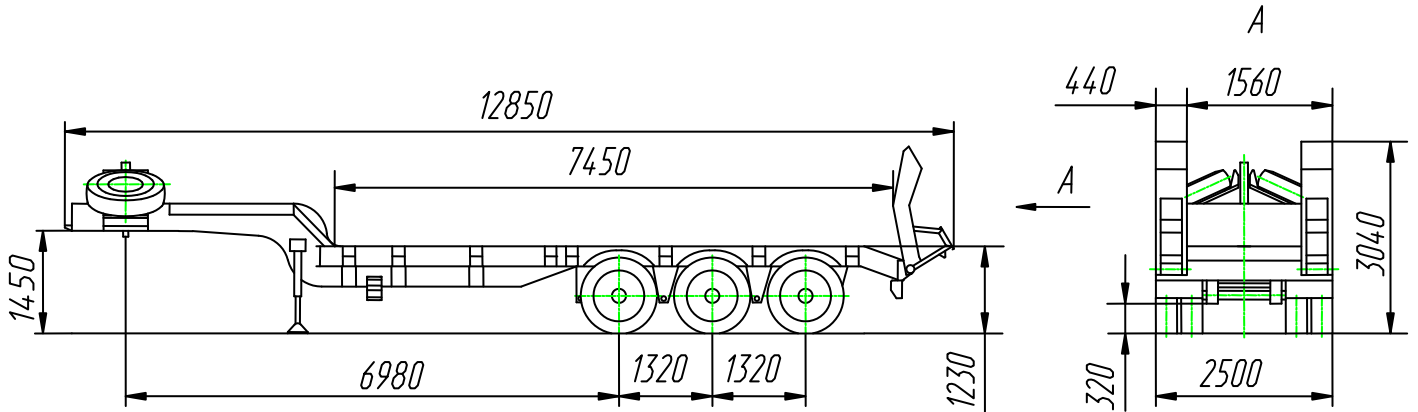
The manufacturer reserves the right to make modifications directed on improving of the automobile parameters.

Head Office: 3-1136 Centre St, Ste. 124, Thornhill, ON, L4J 3M8, Canada

Warehouse: 2682 Highway 34, Hawkesbury, Ontario, K6A 2R2, Canada

Tel: 1-855-2GO-4MTZ (1-855-246-4689) **Fax:** 1-647-933-9066 **E-mail:** info@mtzequipment.com **Web:** www.mtzequipment.com

SEMI-TRAILER_BASE MODEL MAZ-937900-010



PARAMETERS

DESCRIPTION

LOAD PARAMETERS:

Payload carried, kg:	42000
Curb weight, kg	13000
Gross weight, kg	55000
Gross weight pressure, kg:	
- on semitrailer axles	38000
- on tractor head axles	17000

Wheels and Tires: 12.00R20 – 12 tires

Spare wheel

Undercarriage Balance truck type, fixed on six semielliptical springs.

BRAKES

Service: Pneumatic, two-line, with drum type brake mechanisms

Park: Mechanical type, acting on wheels of forward and middle axles.

Canopy: Optional

Head Office: 3-1136 Centre St, Ste. 124, Thornhill, ON, L4J 3M8, Canada

Warehouse: 2682 Highway 34, Hawkesbury, Ontario, K6A 2R2, Canada

Tel: 1-855-2GO-4MTZ (1-855-246-4689) **Fax:** 1-647-933-9066 **E-mail:** info@mtzequipment.com **Web:** www.mtzequipment.com