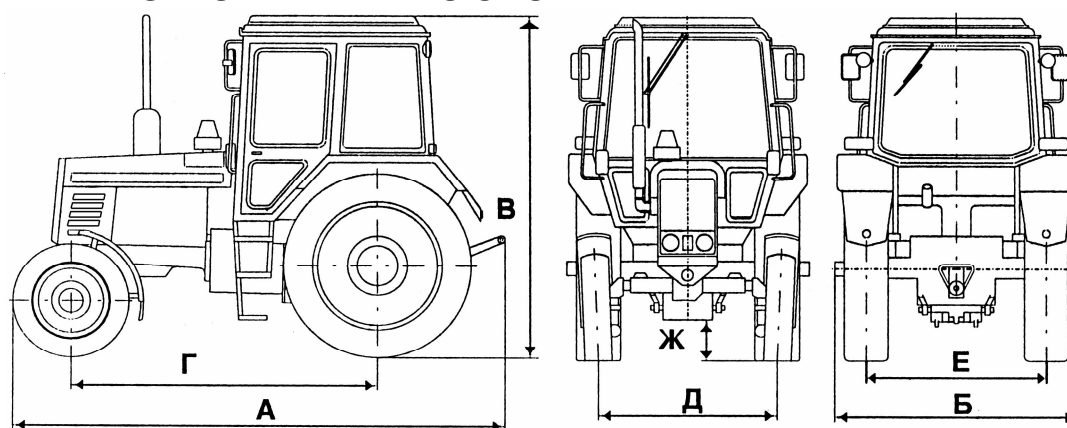


2 TECHNICAL DATA

2.1. WEIGHTS AND DIMENSIONS



Designation	Value
Length, mm (with loads)	4500±40
Width, mm	2300±10
Height, mm	2850±50
Wheelbase, mm	2760±30
Front track width, mm	1540...2090
Rear track width, mm	1530...2150
Ground axles under axle tubes, mm	(not less than) 620
Operating weight (as shipped from plant), kg	5370±100

2.2.ENGINE

	Д-260.2 or Д-260.2С	Д-260.2S2
Engine model	Д-260.2 or Д-260.2С	Д-260.2S2
Make	MMP (Minsk motor plant)	MMP (Minsk motor plant)
Type	six-cylinder, in-line	six-cylinder, in-line
Cycle	4 stroke	4 stroke
Fuel injection system	direct injection	direct injection
Compression ratio (calculated)	16	17
Cylinder bore	110 mm	110 mm
Piston stroke	125 mm	125 mm
Displacement	7,12 l	7,12 l
Firing order	1-5-3-6-2-4	1-5-3-6-2-4
Engine aspiration	turbo-charged	turbo-charged
Cooling system	liquid	liquid
Rated speed	2100 rev/min	2100 rev/min
Maximum no-load speed	2275 rev/min	2270 rev/min
Minimum idle speed	800±50 rev/min	800±50 rev/min
Rated power	98,0±2,0 kW	100±2,0 kW
Peak torque	520 N·m	559 N·m
Fuel rate	235±11,8 g/kW·h	240±12 g/kW·h
Engine weight (dry)	650 kg	710 kg

ATTENTION! MAIN PARTS AND UNITS ARE MARKED. WHEN SUCH PARTS AND UNITS ARE CHANGED PLEASE MAKE REGISTRATION IN TRACTOR PASSPORT, IN OTHER CASE THE TRACTOR IS OUT OF WARRANTY.